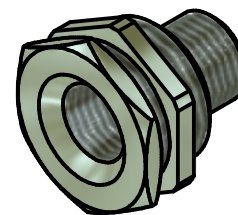
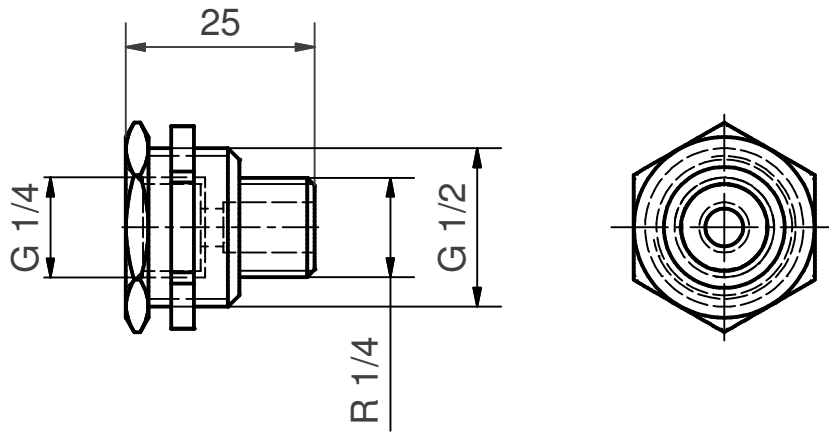


The copyright of these drawings and enclosures which are consigned to the addressee remains at all times in possession of simatec innovation ag. Without our written authorisation it is emphatically prohibited neither to copy or duplicate them nor is it allowed to access them to any person of a third party.



g					Ersetzt durch:		Masstab 1:1	
f					Ersatz für:			
e								
d				Datum	Name	Befestigungsrippel R1/4"-G1/2"		
c				Gezeichnet	17.08.2011			pz
b				Geprüft				
a				Freigegeb.				
Index	Änderungen	Datum	Name					
CH-3380 Wangen a. Aare					1015	1	A4	